



THREADING

• Taps • Dies • Pipe Threading • Thread Repair • Extractors

THREADING

Threading Index

116	Dies Carbon, Button Dies – BSW	103	Taps Carbon, Bulk – Metric
113	Dies Carbon, Button Dies – Metric	104	Taps Carbon, Bulk – Metric Fine
114	Dies Carbon, Button Dies – Metric Fine	105	Taps Carbon, Bulk – UNC
117	Dies Carbon, Button Dies – RC & NPT (Taper)	106	Taps Carbon, Bulk – UNF
115	Dies Carbon, Button Dies – UNC	101	Taps HSS
115	Dies Carbon, Button Dies – UNF	100	Taps Impact
121	Dies Carbon, Die Nuts – BSW, BSF & G	126	Taps Wrenches & Die Holders
118	Dies Carbon, Die Nut Sets	128	Threading Bolt Extractor Set
119	Dies Carbon, Die Nuts – Metric & Metric Fine	122	Threading Carbon, Tap & Die Sets
120	Dies Carbon, Die Nuts – UNC & UNF	130	Threading DIY Range
110	Dies HSS, Button Dies – 8-UN	125	Threading HSS, Tap & Die Sets
111	Dies HSS, Button Dies – 12-UN	132	Threading Pipe Threading
112	Dies HSS, Button Dies – BSPF	132	Threading Pipe Threading - Replacement Parts
112	Dies HSS, Button Dies – BSPT	131	Threading Screw Extractors
109	Dies HSS, Button Dies – Metric & Metric Fine	98	Threading Tapping Drill Size Chart
110	Dies HSS, Button Dies – UNC	131	Threading Thread Gauges
111	Dies HSS, Button Dies – UNF	134	Threading Thread Inserts
102	Taps Carbon	133	Threading Thread Repair Kits
107	Taps Carbon, Bulk – BSW	129	Threading Workshop Range
108	Taps Carbon, Bulk – G, RC, NPT		

Threading Tapping Drill Size Chart

M ISO METRIC COARSE (60°)

Tap Size	Pitch mm	Tapping Drill mm
M1.6	0.35	1.25
M2	0.4	1.6
M2.5	0.45	2.05
M3	0.5	2.5
M3.5	0.6	2.9
M4	0.7	3.3
M4.5	0.75	3.7
M5	0.8	4.2
M6	1.0	5.0
M8	1.25	6.8
M10	1.5	8.5
M12	1.75	10.2
M14	2.0	12.0
M16	2.0	14.0
M18	2.5	15.5
M20	2.5	17.5
M22	2.5	19.5
M24	3.0	21.0
M27	3.0	24.0
M30	3.5	26.5
M33	3.5	29.5
M36	4.0	32.0
M42	4.5	37.5
M45	4.5	40.5
M48	5.0	43.0
M52	5.0	47.0
M56	5.5	50.5

MF ISO METRIC FINE (60°)

M4	0.5	3.5
M5	0.5	4.5
M6	0.75	5.3
M8	1.0	7.0
M10**	1.0	9.0
M10	1.25	8.8
M12**	1.25	10.8
M12	1.5	10.5
M14**	1.25	12.8
M14	1.5	12.5
M16*	1.5	14.5
M18**	1.5	16.5
M20*	1.5	18.5
M22	1.5	20.5
M24	2.0	22.0
M25*	1.5	23.5
M32*	1.5	30.5
M40*	1.5	38.5
M50*	1.5	48.5

*Metric Conduit **Spark Plug

8UN (8 TPI) UNIFIED NATIONAL FORM (60°)

1-1/8	8	25.5
1-1/4	8	28.5
1-3/8	8	31.75
1-1/2	8	35.0
1-5/8	8	38.0
1-3/4	8	41.5
1-7/8	8	44.5
2	8	47.5

UNC UNIFIED NATIONAL COARSE (60°)

Tap Size	TPI	Tapping Drill mm
#2 (.086)	56	1.85
#3 (.099)	48	2.1
#4 (.112)	40	2.3
#5 (.125)	40	2.6
#6 (.138)	32	2.8
#8 (.164)	32	3.4
#10 (.190)	24	3.8
#12 (.216)	24	4.5
1/4	20	5.1
5/16	18	6.6
3/8	16	8.0
7/16	14	9.4
1/2	13	10.8
9/16	12	12.2
5/8	11	13.5
3/4	10	16.5
7/8	9	19.5
1	8	22.2
1-1/8	7	25.0
1-1/4	7	28.0
1-3/8	6	31.0
1-1/2	6	34.0
1-3/4	5	39.5
2	4.5	45.0

UNF UNIFIED NATIONAL FINE (60°)

#3 (.099)	56	2.1
#4 (.112)	48	2.35
#5 (.125)	44	2.65
#6 (.138)	40	2.9
#8 (.164)	36	3.5
#10 (.190)	32	4.1
#12 (.216)	28	4.6
3/16*	32	4.0
1/4	28	5.5
5/16	24	6.9
3/8	24	8.5
7/16	20	9.8
1/2	20	11.5
9/16	18	12.8
5/8	18	14.5
3/4	16	17.5
7/8	14	20.5
1	12	23.5
1*	14	24.0
1-1/8	12	26.5
1-1/4	12	29.5
1-3/8	12	33.01
1-1/2	12	36.0

*UNS

UNEF UNIFIED NATIONAL FORM (60°)

1/4	32	5.6
5/16	32	7.2
3/8	32	8.8
1/2	28	11.8
5/8	24	14.75
3/4	20	18
1	20	24.2

BSW BRITISH STANDARD WHITWORTH (55°)

Tap Size	TPI	Tapping Drill mm
1/16*	60	1.2
3/32*	48	1.85
1/8	40	2.55
5/32*	32	3.2
3/16	24	3.7
7/32*	24	4.5
1/4	20	5.1
5/16	18	6.5
3/8	16	7.9
7/16	14	9.3
1/2	12	10.5
9/16	12	12.1
5/8	11	13.5
3/4	10	16.25
7/8	9	19.25
1	8	22.0
1-1/8	7	24.75
1-1/4	7	28.0
1-1/2	6	33.5
1-3/4	5	39.0
2	4-1/2	44.5

*WHIT. Form

BSF BRITISH STANDARD FINE (55°)

3/16	32	4.0
7/32	28	4.6
1/4	26	5.3
5/16	22	6.8
3/8	20	8.3
7/16	18	9.8
1/2	16	11.0
9/16	16	12.7
5/8	14	14.0
11/16	14	15.5
3/4	12	16.75
7/8	11	19.75
1	10	22.75
1-1/8	9	25.5
1-1/4	9	28.5
1-1/2	8	34.5
1-3/4	7	41.0

BSB BRITISH STANDARD BRASS (55°)

1/4	26	5.2
5/16	26	6.8
3/8	26	8.4
7/16	26	10.0
1/2	26	11.6
9/16	26	13.2
5/8	26	14.8
3/4	26	18.0
7/8	26	20.8
1	26	24.3

*Taper pipe threads of improved quality are obtained when the tapping hole is pre-formed using Sutton Taper Pipe Reamers.

Threading Tapping Drill Size Chart

Rc (BSPT)* ISO Rc TAPER SERIES 1:16 (55°)

Tap Size	TPI	Drill Only*	Drill & Reamer
Rc 1/16	28	6.4	6.2
Rc 1/8	28	8.4	8.4
Rc 1/4	19	11.2	10.8
Rc 3/8	19	14.75	14.5
Rc 1/2	14	18.25	18.0
Rc 3/4	14	23.75	23.0
Rc 1	11	30.0	29.0
Rc 1-1/4	11	38.5	38.0
Rc 1-1/2	11	44.5	44.0
Rc 2	11	56.0	55.0

G (BSPF) ISO G PARALLEL SERIES (55°)

Tap Size	TPI	Tapping Drill mm
G 1/16	28	6.8
G 1/8	28	8.8
G 1/4	19	11.8
G 3/8	19	15.3
G 1/2	14	19.0
G 5/8	14	21.0
G 3/4	14	24.5
G 7/8	14	28.5
G 1	11	31.0
G 1-1/4	11	39.5
G 1-1/2	11	45.5
G 1-3/4	11	51.5
G 2	11	57.5
G 2-1/2	11	72.5

Rp (BSPPL) SEALING PIPE THREAD PARALLEL (55°)

Rp 1/8	28	8.6
Rp 1/4	19	11.5
Rp 3/8	19	15.0
Rp 1/2	14	18.5
Rp 3/4	14	24.0
Rp 1	11	30.2
Rp 1-1/4	11	39.0
Rp 1-1/2	11	45.0
Rp 2	11	56.4

Pg (Steel Conduit) (80°)

Pg7	20	11.3
Pg9	18	13.9
Pg11	18	17.3
Pg13.5	18	19.1
Pg16	18	21.2
Pg21	15	26.8

THREAD FORMING (FLUTELESS TAPS)

Tap Size	Pitch mm	Tapping Drill mm
METRIC COARSE		
M1	0.25	0.9
M1.1	0.25	1.0
M1.2	0.25	1.1
M1.4	0.3	1.28
M1.6	0.35	1.45
M1.7	0.35	1.55
M1.8	0.35	1.65
M2.0	0.40	1.8
M2.2	0.45	2.0
M2.3	0.4	2.1
M2.5	0.45	2.3
M2.6	0.45	2.4
M3	0.5	2.8
M3.5	0.6	3.2
M4	0.7	3.7
M5	0.8	4.6
M6	1.0	5.5
M8	1.25	7.4
M10	1.5	9.3
M12	1.75	11.2
BSW		
1/8	40	2.9
5/32	32	3.6
3/16	24	4.3
1/4	20	5.8
5/16	18	7.3
3/8	16	8.8

NPT-NPTF* NATIONAL PIPE TAPER 1:16 (60°)

Tap Size	TPI	Drill Only*	Drill & Reamer
1/16	27	6.3	6.0
1/8	27	8.5	8.2
1/4	18	11.0	10.8
3/8	18	14.5	14.0
1/2	14	18.0	17.5
3/4	14	23.0	23.0
1	11-1/2	29.0	28.5
1-1/4	11-1/2	37.5	37.0
1-1/2	11-1/2	44	43.5
2	11-1/2	55.5	55.0

NPSF NATIONAL PIPE STRAIGHT (60°)

Tap Size	TPI	Tapping Drill mm
1/8	27	8.6
1/4	18	11.3
3/8	18	14.5
1/2	14	18.0

THREAD FORMING (FLUTELESS TAPS)

Tap Size	T.P.I.	Tapping Drill mm
UNC		
#1 (.073)	64	1.7
#2 (.086)	56	2.0
#3 (.099)	48	2.3
#4 (.112)	40	2.6
#5 (.125)	40	2.9
#6 (.138)	32	3.2
#8 (.164)	32	3.8
#10 (.190)	24	4.4
#12 (.216)	24	5.0
1/4	20	5.8
5/16	18	7.3
3/8	16	8.8
7/16	14	10.2
1/2	13	11.7
UNF		
#1 (.073)	72	1.7
#2 (.086)	64	2.0
#3 (.099)	56	2.3
#4 (.112)	48	2.6
#5 (.125)	44	2.9
#6 (.138)	40	3.2
#8 (.164)	36	3.9
#10 (.190)	32	4.5
#12 (.216)	28	5.1
1/4	28	6.0
5/16	24	7.5
3/8	24	9.0
7/16	20	10.6
1/2	20	12.1
G (BSPF)		
1/8	28	9.25
1/4	19	12.5
3/8	19	16.0
1/2	14	20.0
5/8	14	22.0
3/4	14	25.5
7/8	14	29.25
1	11	32.0

BA BRITISH ASSOCIATION (47.5°)

Tap Size	Pitch mm	Tapping Drill mm
0	1	5.1
1	0.9	4.5
2	0.81	4.0
3	0.73	3.4
4	0.66	3.0
5	0.59	2.65
6	0.53	2.3
7	0.48	2.05
8	0.43	1.8
9	0.39	1.55
10	0.35	1.4
11	0.31	1.2
12	0.28	1.05
13	0.25	0.98
14	0.23	0.8
15	0.21	0.7
16	0.19	0.6

Taps Impact

sutton

Designed for use in impact drivers for extremely fast tapping speed (3 seconds) in excess of 20x faster than hand tapping. Suitable for steel, aluminium, brass, cast iron, plastic and nylon.

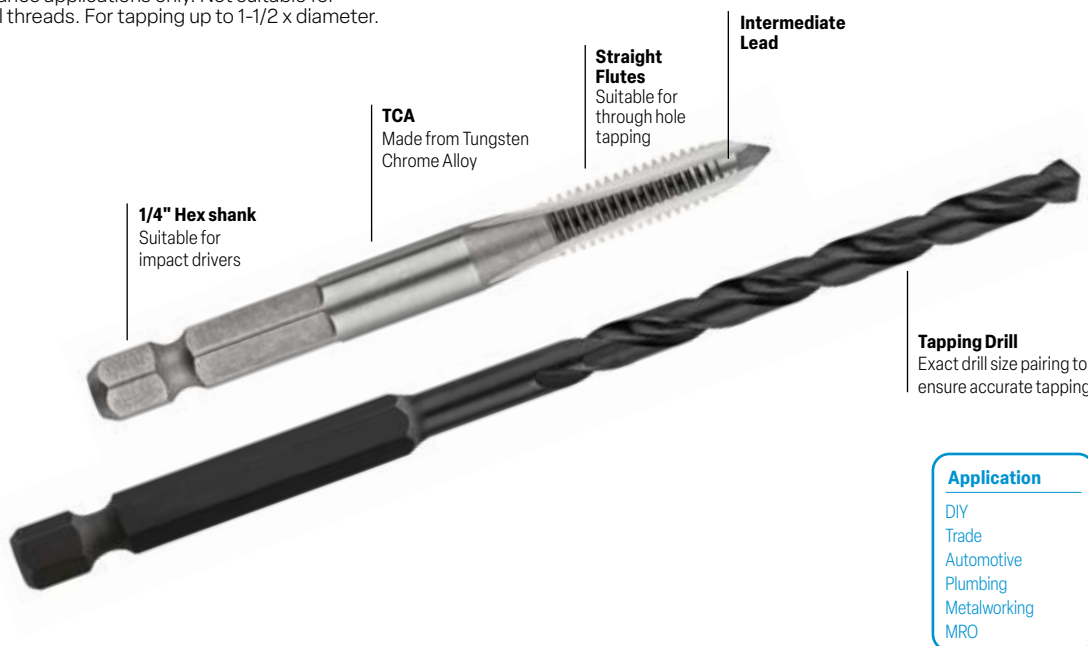
General purpose/maintenance applications only. Not suitable for precision, safety or critical threads. For tapping up to 1-1/2 x diameter.



**20X
FASTER***



Check out the demo



1/4" Hex shank
Suitable for impact drivers

TCA
Made from Tungsten Chrome Alloy

Straight Flutes
Suitable for through hole tapping

Intermediate Lead

Tapping Drill
Exact drill size pairing to ensure accurate tapping

Application

- DIY
- Trade
- Automotive
- Plumbing
- Metalworking
- MRO

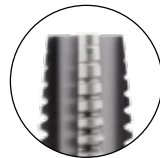
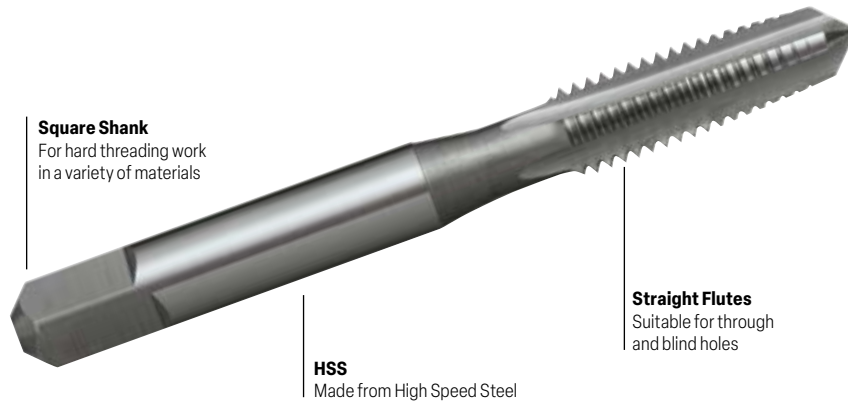
Product Information				Item #	Barcode
Size	Pitch	Shank Size	Drill Ø	M105	
M3	0.5	1/4	2.5mm	M105 0300	9311963600840
M4	0.7	1/4	3.3mm	M105 0400	9311963600857
M5	0.8	1/4	4.2mm	M105 0500	9311963600864
M6	1	1/4	5.0mm	M105 0600	9311963600871
M8	1.25	1/4	6.8mm	M105 0800	9311963600888
M10[†]	1.5	1/4	8.5mm [†]	M105 1000	9311963607412
M12[†]	1.75	1/4	10.2mm [†]	M105 1200	9311963607429

[†]Drill not included - M10 and M12

* Compared with hand tapping

Sutton Tools HSS Taps are made in Australia for trusted quality. Suitable for general purpose use in hand or machine operations and depths up to 1×Ø.

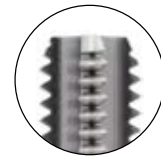
Tap Cut
A variety of leads are available to suit various requirements



Taper



Intermediate



Bottoming

Discount Group: D0702

Product Information					Item #	Barcode	Item #	Barcode	Item #	Barcode
Size	Pitch/ TPI	O/A Length	Flute Length	Drill Ø						
Metric					T820*		T821*		T822*	
M3	x0.5	48	11	2.5			T821 0300*	9311963611846	T822 0300*	9311963611853
M4	x0.7	53	13	3.3	T820 0400*	9311963611860	T821 0400*	9311963611877		
M5	x0.8	58	16	4.2	T820 0500*	9311963611891			T822 0500*	9311963611914
M6	x1.0	66	19	5						
M8	x1.25	72	22	6.8	T820 0800*	9311963611952	T821 0800*	9311963611969	T822 0800*	9311963611976
M10	x1.5	80	24	8.5						
M12	x1.75	89	29	10.2			T821 1200*	9311963612027	T822 1200*	9311963612034

Taper Tap Used when material is difficult to work (alloy steel) and recommended for small diameter threads.

Intermediate Tap Assists in aligning and starting the tap into an untapped hole.

Bottoming Tap Offering a continuous cutting edge with almost no taper, it's usually used to cut threads to the bottom of a blind hole.

*Not available once current stock is depleted

www.suttontools.com

Taps Carbon



Ideal for routine maintenance, repair work and for re-threading where high accuracy and tolerance thread is not critical. General purpose/ DIY use only. Made from Tungsten Chrome Alloy (TCA).

Note: Straight flute taps are only suitable for hand operations, tapping up to 1-1/2 x diameter.

Tap Cut
A variety of leads are available to suit various requirements



Square Shank
For hard threading work in a variety of materials

Straight Flutes
Suitable for through hole tapping

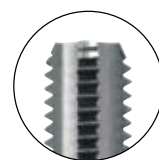
TCA
Made from Tungsten Chrome Alloy



Taper



Intermediate



Bottoming

Discount Group: D0502

Product Information			Item #	Barcode	Item #	Barcode	Item #	Barcode
Size	Pitch / TPI	Drill Ø						
Metric ISO Coarse			M100		M101		M102	
M3	0.5	2.5	M100 0300	9311963420097	M101 0300	9311963420103	M102 0300	9311963420110
M4	0.7	3.3	M100 0400	9311963076850	M101 0400	93829137	M102 0400	9311963076867
M5	0.8	4.2	M100 0500	9311963076874	M101 0500	93829151	M102 0500	9311963076881
M6	1.0	5	M100 0600	9311963076898	M101 0600	93829168	M102 0600	9311963076904
M8	1.25	6.8	M100 0800	9311963076935	M101 0800	93829182	M102 0800	9311963076942
M10	1.5	8.5	M100 1000	9311963076959	M101 1000	93829199	M102 1000	9311963076966
M12	1.75	10.2	M100 1200	9311963076973	M101 1200	93829205	M102 1200	9311963076980
BSW (British Standard Whitworth)					M117			
1/8	40	2.55			M117 0318	93829007		
5/32	32 WHIT	3.2			M117 0397	93829014		
3/16	24	3.7			M117 0476	93829021		
1/4	20	5.1			M117 0635	93829038		
5/16	18	6.5			M117 0794	93829045		
3/8	16	7.9			M117 0953	93829052		
1/2	12	10.5			M117 1270	93829076		

Taper Tap Used when material is difficult to work (alloy steel) and recommended for small diameter threads.

Intermediate Tap Assists in aligning and starting the tap into an untapped hole.

Bottoming Tap Offering a continuous cutting edge with almost no taper, it's usually used to cut threads to the bottom of a blind hole.

Taps Carbon, Bulk – Metric



Made from Tungsten Chrome Alloy.

Carbon Taps – Not suitable for precision, safety or critical threads. General purpose / DIY use only. Straight flutes are designed for tapping into materials where chips break-up readily and present no disposal problems, particularly in through-hole tapping. Straight flute taps are only suitable for hand operations, tapping up to 1-1/2 x diameter.

Set comprises 1 each – Taper, Intermediate and Bottoming.

Tap Cut
A variety of leads are available to suit various requirements

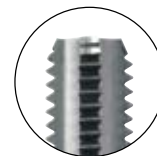


Square Shank
For hard threading work in a variety of materials

TCA
Made from Tungsten Chrome Alloy

Straight Flutes
Suitable for through hole tapping

- Application**
- DIY
 - Trade
 - Automotive
 - Plumbing
 - Metalworking
 - MRO



Discount Group: D0502

Product Information			Taper	Intermediate	Bottoming	Set of 3
Size	Pitch / TPI	Drill Ø	Item #	Item #	Item #	Item #
Metric ISO Coarse			M200	M201	M202	M203
M2	0.4	1.6	M200 0200		M202 0200	
M2.5	0.45	2.05	M200 0250		M202 0250	
M3	0.5	2.5	M200 0300	M201 0300	M202 0300	M203 0300
M3.5	0.6	2.9	M200 0350		M202 0350	
M4	0.7	3.3	M200 0400	M201 0400	M202 0400	M203 0400
M4.5	0.75	3.7	M200 0450		M202 0450	
M5	0.8	4.2	M200 0500	M201 0500	M202 0500	M203 0500
M6	1.0	5	M200 0600	M201 0600	M202 0600	M203 0600
M7	1.0	6	M200 0700	M201 0700	M202 0700	M203 0700
M8	1.25	6.8	M200 0800	M201 0800	M202 0800	M203 0800
M9	1.25	7.8	M200 0900		M202 0900	
M10	1.5	8.5	M200 1000	M201 1000	M202 1000	M203 1000
M11	1.5	9.5	M200 1100		M202 1100	
M12	1.75	10.2	M200 1200	M201 1200	M202 1200	M203 1200
M14	2.0	12	M200 1400	M201 1400	M202 1400	M203 1400
M16	2.0	14	M200 1600	M201 1600	M202 1600	M203 1600
M18	2.5	15.5	M200 1800	M201 1800	M202 1800	M203 1800
M20	2.5	17.5	M200 2000	M201 2000	M202 2000	M203 2000
M22	2.5	19.5	M200 2200	M201 2200	M202 2200	M203 2200
M24	3.0	21	M200 2400	M201 2400	M202 2400	M203 2400
M27	3.0	24	M200 2700	M201 2700	M202 2700	
M30	3.5	26.5	M200 3000	M201 3000	M202 3000	
M33	3.5	29.5	M200 3300	M201 3300	M202 3300	
M36	4.0	32	M200 3600	M201 3600	M202 3600	

Taper Tap Used when material is difficult to work (alloy steel) and recommended for small diameter threads.

Intermediate Tap Assists in aligning and starting the tap into an untapped hole.

Bottoming Tap Offering a continuous cutting edge with almost no taper, it's usually used to cut threads to the bottom of a blind hole.

Taps Carbon, Bulk – Metric Fine

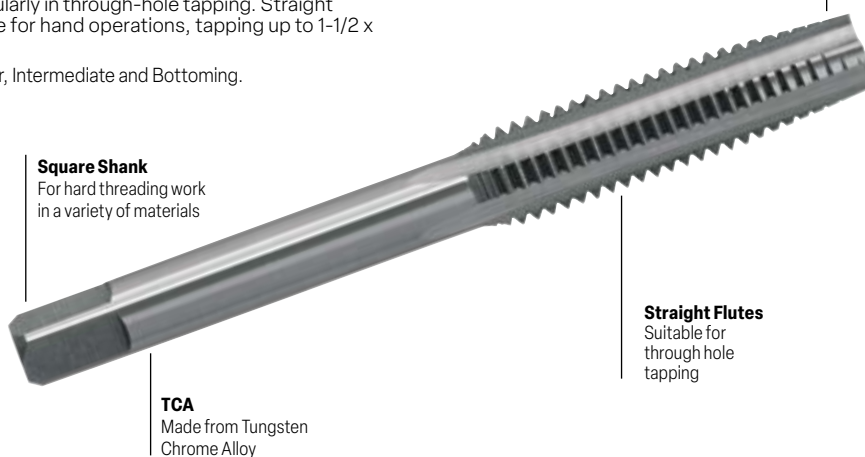


Made from Tungsten Chrome Alloy.

Carbon Taps – Not suitable for precision, safety or critical threads. General purpose / DIY use only. Straight flutes are designed for tapping into materials where chips break-up readily and present no disposal problems, particularly in through-hole tapping. Straight flute taps are only suitable for hand operations, tapping up to 1-1/2 x diameter.

Set comprises 1 each – Taper, Intermediate and Bottoming.

Tap Cut
A variety of leads are available to suit various requirements



Square Shank
For hard threading work in a variety of materials

TCA
Made from Tungsten Chrome Alloy

Straight Flutes
Suitable for through hole tapping

Application

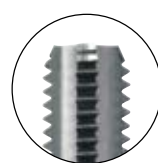
- DIY
- Trade
- Automotive
- Plumbing
- Metalworking
- MRO



Taper



Intermediate



Bottoming

Set of 3

Discount Group: D0502

Product Information			Item #	Item #	Item #	Item #
Size	Pitch	Drill Ø				
Metric Fine			M204	M205	M206	M207
MF8	1.0	7	M204 0805	M205 0805	M206 0805	M207 0805
MF10	1.25	8.8	M204 1006	M205 1006	M206 1006	M207 1006
MF12	1.5	10.5	M204 1207	M205 1207	M206 1207	M207 1207
MF12	1.25	10.8	M204 1206	M205 1206	M206 1206	M207 1206
MF14	1.5	12.5	M204 1407	M205 1407	M206 1407	M207 1407
MF16	1.5	14.5	M204 1607	M205 1607	M206 1607	M207 1607
MF18	1.5	16.5	M204 1807	M205 1807	M206 1807	M207 1807
MF20	1.5	18.5	M204 2007	M205 2007	M206 2007	M207 2007
MF22	1.5	20.5	M204 2207	M205 2207	M206 2207	M207 2207
MF24	2.0	22	M204 2408	M205 2408	M206 2408	M207 2408
Metric Conduit						
MF16	1.5	14.5	M204 1607	M205 1607	M206 1607	M207 1607
MF20	1.5	18.5	M204 2007	M205 2007	M206 2007	M207 2007
MF25	1.5	23.5	M204 2507	M205 2507	M206 2507	
MF32	1.5	30.5	M204 3207	M205 3207	M206 3207	
MF40	1.5	38.5	M204 4007	M205 4007	M206 4007	
MF50	1.5	48.5	M204 5007	M205 5007	M206 5007	
Spark Plug						
MF10	1.0	9	M204 1005	M205 1005	M206 1005	M207 1005
MF12	1.25	10.8	M204 1206	M205 1206	M206 1206	M207 1206
MF14	1.25	12.8	M204 1406	M205 1406	M206 1406	
MF18	1.5	16.5	M204 1807	M205 1807	M206 1807	M207 1807

Taper Tap Used when material is difficult to work (alloy steel) and recommended for small diameter threads.

Intermediate Tap Assists in aligning and starting the tap into an untapped hole.

Bottoming Tap Offering a continuous cutting edge with almost no taper, it's usually used to cut threads to the bottom of a blind hole.

Taps Carbon, Bulk – UNC



Made from Tungsten Chrome Alloy.

Carbon Taps – Not suitable for precision, safety or critical threads. General purpose / DIY use only. Straight flutes are designed for tapping into materials where chips break-up readily and present no disposal problems, particularly in through-hole tapping. Straight flute taps are only suitable for hand operations, tapping up to 1-1/2 x diameter.

Set comprises 1 each – Taper, Intermediate and Bottoming.

Tap Cut
A variety of leads are available to suit various requirements



Square Shank
For hard threading work in a variety of materials

Straight Flutes
Suitable for through hole tapping

TCA
Made from Tungsten Chrome Alloy

- Application**
- DIY
 - Trade
 - Automotive
 - Plumbing
 - Metalworking
 - MRO



Discount Group: D0502

Product Information			Item #	Item #	Item #	Set of 3
Size	TPI	Drill Ø				Item #
UNC (Unified National Coarse)			M216	M217	M218	M219
#10	24	3.8	M216 0483	M217 0483	M218 0483	M219 0483
1/4	20	5.1	M216 0635	M217 0635	M218 0635	M219 0635
5/16	18	6.6	M216 0794	M217 0794	M218 0794	M219 0794
3/8	16	8	M216 0953	M217 0953	M218 0953	M219 0953
7/16	14	9.4	M216 1111	M217 1111	M218 1111	M219 1111
1/2	13	10.8	M216 1270	M217 1270	M218 1270	M219 1270
9/16	12	12.2	M216 1429	M217 1429	M218 1429	M219 1429
5/8	11	13.5	M216 1588	M217 1588	M218 1588	M219 1588
3/4	10	16.5	M216 1905	M217 1905	M218 1905	M219 1905
7/8	9	19.5	M216 2223	M217 2223	M218 2223	M219 2223
1	8	22.2	M216 2540	M217 2540	M218 2540	M219 2540
1-1/8	7	25	M216 2858	M217 2858	M218 2858	
1-1/4	7	28	M216 3175	M217 3175	M218 3175	

- Taper Tap** Used when material is difficult to work (alloy steel) and recommended for small diameter threads.
- Intermediate Tap** Assists in aligning and starting the tap into an untapped hole.
- Bottoming Tap** Offering a continuous cutting edge with almost no taper, it's usually used to cut threads to the bottom of a blind hole.

Taps Carbon, Bulk – UNF



Made from Tungsten Chrome Alloy.

Carbon Taps – Not suitable for precision, safety or critical threads. General purpose / DIY use only. Straight flutes are designed for tapping into materials where chips break-up readily and present no disposal problems, particularly in through-hole tapping. Straight flute taps are only suitable for hand operations, tapping up to 1-1/2 x diameter.

Set comprises 1 each – Taper, Intermediate and Bottoming.

Tap Cut
A variety of leads are available to suit various requirements



Square Shank
For hard threading work in a variety of materials

TCA
Made from Tungsten Chrome Alloy

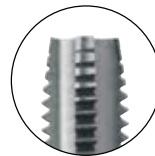
Straight Flutes
Suitable for through hole tapping

Application

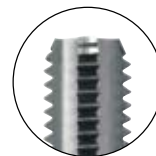
- DIY
- Trade
- Automotive
- Plumbing
- Metalworking
- MRO



Taper



Intermediate



Bottoming

Set of 3

Discount Group: D0502

Product Information			Item #	Item #	Item #	Item #
Size	Pitch	Drill Ø				
UNF (Unified National Fine)			M220	M221	M222	M223
1/4	28	5.5	M220 0635	M221 0635	M222 0635	M223 0635
5/16	24	6.9	M220 0794	M221 0794	M222 0794	M223 0794
3/8	24	8.5	M220 0953	M221 0953	M222 0953	M223 0953
7/16	20	9.8	M220 1111	M221 1111	M222 1111	M223 1111
1/2	20	11.5	M220 1270	M221 1270	M222 1270	M223 1270
9/16	18	12.8	M220 1429	M221 1429	M222 1429	M223 1429
5/8	18	14.5	M220 1588	M221 1588	M222 1588	M223 1588
3/4	16	17.5	M220 1905	M221 1905	M222 1905	M223 1905
7/8	14	20.5	M220 2223	M221 2223	M222 2223	M223 2223
1	12	23.5	M220 2540	M221 2540	M222 2540	M223 2540
1	14 UNS	24	M220 2541	M221 2541	M222 2541	M223 2541
1-1/8	12	26.5	M220 2858	M221 2858	M222 2858	M223 2858
1-1/4	12	29.5	M220 3175	M221 3175	M222 3175	M223 3175

Taper Tap Used when material is difficult to work (alloy steel) and recommended for small diameter threads.

Intermediate Tap Assists in aligning and starting the tap into an untapped hole.

Bottoming Tap Offering a continuous cutting edge with almost no taper, it's usually used to cut threads to the bottom of a blind hole.

Taps Carbon, Bulk – BSW



Made from Tungsten Chrome Alloy.

Carbon Taps – Not suitable for precision, safety or critical threads. General purpose / DIY use only. Straight flutes are designed for tapping into materials where chips break-up readily and present no disposal problems, particularly in through-hole tapping. Straight flute taps are only suitable for hand operations, tapping up to 1-1/2 x diameter.

Set comprises 1 each – Taper, Intermediate and Bottoming.

Tap Cut
A variety of leads are available to suit various requirements

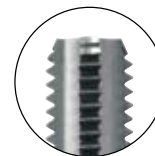
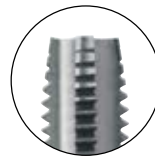


Square Shank
For hard threading work in a variety of materials

Straight Flutes
Suitable for through hole tapping

TCA
Made from Tungsten Chrome Alloy

- Application**
- DIY
 - Trade
 - Automotive
 - Plumbing
 - Metalworking
 - MRO



Discount Group: D0502

Product Information			Item #	Item #	Item #	Set of 3
Size	TPI	Drill Ø				Item #
BSW (British Standard Whitworth)			M224	M225	M226	M227
1/8	40	2.55	M224 0318	M225 0318	M226 0318	M227 0318
5/32	32 WHIT	3.2	M224 0397	M225 0397	M226 0397	M227 0397
3/16	24	3.7	M224 0476	M225 0476	M226 0476	M227 0476
1/4	20	5.1	M224 0635	M225 0635	M226 0635	M227 0635
5/16	18	6.5	M224 0794	M225 0794	M226 0794	M227 0794
3/8	16	7.9	M224 0953	M225 0953	M226 0953	M227 0953
7/16	14	9.3	M224 1111	M225 1111	M226 1111	M227 1111
1/2	12	10.5	M224 1270	M225 1270	M226 1270	M227 1270
9/16	12	12.1	M224 1429		M226 1429	
5/8	11	13.5			M226 1588	
3/4	10	16.25			M226 1905	
7/8	9	19.25			M226 2223	
1	8	22	M224 2540		M226 2540	

Taper Tap Used when material is difficult to work (alloy steel) and recommended for small diameter threads.

Intermediate Tap Assists in aligning and starting the tap into an untapped hole.

Bottoming Tap Offering a continuous cutting edge with almost no taper, it's usually used to cut threads to the bottom of a blind hole.

Taps Carbon, Bulk – G, RC, NPT



Made from Tungsten Chrome Alloy.

Cuts internal threads in pipes and are ideal for pipe fittings. General purpose/DIY use only. These carbon taps are not suitable for precision, safety or critical threads.

Set comprises 1 each – Taper, Intermediate and Bottoming.

Tap Cut

A variety of leads are available to suit various requirements

Square Shank

For hard threading work in a variety of materials

TCA

Made from Tungsten Chrome Alloy

Straight Flutes

Suitable for through hole tapping



Application

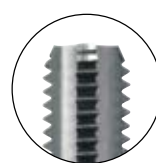
- DIY
- Trade
- Automotive
- Plumbing
- Metalworking
- MRO



Taper



Intermediate



Bottoming

Set of 3

Discount Group: D0502

Product Information			Item #	Item #	Item #	Item #
Size	TPI	Drill Ø				
BSPF (G Series - British Standard Pipe Fitting)			M240	M241	M242	M243
1/8	28	8.8	M240 0973	M241 0973	M242 0973	M243 0973
1/4	19	11.8	M240 1316	M241 1316	M242 1316	M243 1316
3/8	19	15.3	M240 1666	M241 1666	M242 1666	M243 1666
1/2	14	19	M240 2096	M241 2096	M242 2096	M243 2096
5/8	14	21	M240 2291	M241 2291	M242 2291	M243 2291
3/4	14	24.5	M240 2644	M241 2644	M242 2644	M243 2644
1	11	31	M240 3325	M241 3325	M242 3325	M243 3325
1-1/4	11	39.5	M240 4191	M241 4191	M242 4191	
2	11	57.5	M240 5961	M241 5961	M242 5961	
BSPT (Rc Series - British Standard Pipe Taper)					M244	
1/8	28	8.4			M244 0973	
1/4	19	10.8			M244 1316	
3/8	19	14.5			M244 1666	
1/2	14	18			M244 2096	
3/4	14	23			M244 2644	
1	11	29			M244 3325	
1-1/4	11	38			M244 4191	
1-1/2	11	44			M244 4780	
2	11	55			M244 5961	
NPT (National Pipe Taper) 15° Chamfer					M245	
1/8	27	8.4			M245 1029	
1/4	18	10.8			M245 1372	
3/8	18	14.5			M245 1715	
1/2	14	18			M245 2134	
3/4	14	23			M245 2667	
1	11-1/2	29			M245 3340	
1-1/4	11-1/2	38			M245 4216	
1-1/2	11-1/2	44			M245 4826	
2	11-1/2	55			M245 6033	

Taper Tap Used when material is difficult to work (alloy steel) and recommended for small diameter threads.

Intermediate Tap Assists in aligning and starting the tap into an untapped hole.

Bottoming Tap Offering a continuous cutting edge with almost no taper, it's usually used to cut threads to the bottom of a blind hole.

Dies HSS, Button Dies – Metric & Metric Fine



Button Dies are used for cutting a new male/external thread on studs. Made from High Speed Steel. Suitable for cleaning existing threads in tough applications. Produce more accurate threads than carbon dies.



High Speed Steel
For longer tool life



Solid Round Die
Fits into adjustable guide or plain die stock handle

Cutting Teeth
Provide a precise thread

Application

- DIY
- Trade
- Automotive
- Plumbing
- Metalworking
- MRO



1"



2"



3"

Discount Group: D0204

Product Information		Item #	Barcode	Item #	Barcode	Item #	Barcode
Size	Pitch						
Metric ISO Coarse		M551		M552		M553	
M2	0.4	M551 0200	9311963593647				
M3	0.5	M551 0300	9311963593654				
M4	0.7	M551 0400	9311963593661				
M5	0.8	M551 0500	9311963593678				
M6	1.0	M551 0600	9311963593685				
M8	1.25	M551 0800	9311963593692				
M10	1.5	M551 1000	9311963593708				
M12	1.75	M551 1200	9311963593715				
M12	1.75			M552 1200	9311963593722		
M14	2.0			M552 1400	9311963593739		
M16	2.0			M552 1600	9311963593746		
M18	2.5			M552 1800	9311963593753		
M20	2.5			M552 2000	9311963593760		
M22	2.5			M552 2200	9311963593777		
M24	3.0			M552 2400	9311963593784		
M30	3.5					M553 3000	9311963593791
M33	3.5					M553 3300	9311963593807
M36	4.0					M553 3600	9311963593814
M39	4.0					M553 3900	9311963593821
M42	4.5					M553 4200	9311963593838
M45	4.5					M553 4500	9311963593845
M48	5.0					M553 4800	9311963593852
Metric Fine		M554		M555			
MF6	0.75	M554 0604	9311963593869				
MF8	1.0	M554 0805	9311963593876				
MF10	1.0	M554 1005	9311963593883				
MF10	1.25	M554 1006	9311963593890				
MF12	1.25	M554 1206	9311963593906				
MF12	1.5	M554 1207	9311963593913				
MF14	1.0			M555 1405	9311963593920		
MF14	1.25			M555 1406	9311963593937		
MF14	1.5			M555 1407	9311963593944		
MF16	1.0			M555 1605	9311963593951		
MF16	1.5			M555 1607	9311963593968		
				M556			
MF20	1.5			M556 2007	9311963593975		
MF22	1.5			M556 2207	9311963593982		
MF24	2.0			M556 2408	9311963593999		
MF25	1.5			M556 2507	9311963594002		

Dies HSS, Button Dies – UNC



Button Dies are used for cutting a new male/external thread on studs. Made from High Speed Steel. Suitable for cleaning existing threads in tough applications. Produce more accurate threads than carbon dies.



Solid Round Die
Fits into adjustable guide or plain die stock handle

Cutting Teeth
Provide a precise thread

High Speed Steel
For longer tool life

Application

- DIY
- Trade
- Automotive
- Plumbing
- Metalworking
- MRO



Discount Group: D0204

Product Information		Item #	Barcode	Item #	Barcode	Item #	Barcode
Size	TPI						
UNC (Unified National Coarse)		M561		M562		M563	
#6	32	M561 0351	9311963594019				
#8	32	M561 0417	9311963594026				
#10	24	M561 0483	9311963594033				
#12	24	M561 0549	9311963594040				
1/4	20	M561 0635	9311963594057				
5/16	18	M561 0794	9311963594064				
3/8	16	M561 0953	9311963594071				
7/16	14	M561 1111	9311963594088				
1/2	13	M561 1270	9311963594095	M562 1270	9311963594101		
5/8	11			M562 1588	9311963594118		
3/4	10			M562 1905	9311963594125		
7/8	9			M562 2223	9311963594132		
1"	8			M562 2540	9311963594149		
1-1/8	7					M563 2858	9311963594156
1-1/4	7					M563 3175	9311963594163
1-3/8	6					M563 3493	9311963594170
1-1/2	6					M563 3810	9311963594187
1-5/8	5.5					M563 4128	9311963594194
1-3/4	5					M563 4445	9311963594200
1-7/8	5					M563 4763	9311963594217
2"	4.5					M563 5080	9311963594224

Dies HSS, Button Dies – 8-UN



Discount Group: D0204

Product Information		Item #	Barcode	Item #	Barcode	Item #	Barcode
Size	TPI						
8-UN (Unified National)				M566		M567	
1-1/8	8			M566 2858	9311963594378		
1-1/4	8			M566 3175	9311963594385		
1-3/8	8			M566 3493	9311963594392		
1-1/2	8			M566 3810	9311963594408		
1-5/8	8					M567 4128	9311963594415
1-3/4	8					M567 4445	9311963594422
1-7/8	8					M567 4763	9311963594439
2"	8					M567 5080	9311963594446

Dies HSS, Button Dies – UNF



Button Dies are used for cutting a new male/external thread on studs. Made from High Speed Steel. Suitable for cleaning existing threads in tough applications. Produce more accurate threads than carbon dies.



High Speed Steel
For longer tool life



Solid Round Die
Fits into adjustable guide or plain die stock handle

Cutting Teeth
Provide a precise thread

Application

- DIY
- Trade
- Automotive
- Plumbing
- Metalworking
- MRO



Discount Group: D0204

Product Information		Item #	Barcode	Item #	Barcode	Item #	Barcode
Size	TPI						
UNF (Unified National Fine)				M564		M565	
#6	40			M564 0351	9311963594231		
#8	36			M564 0417	9311963594248		
#10	32			M564 0483	9311963594255		
#12	28			M564 0549	9311963594262		
1/4	28			M564 0635	9311963594279		
5/16	24			M564 0794	9311963594286		
3/8	24			M564 0953	9311963594293		
7/16	20			M564 1111	9311963594309		
1/2	20			M564 1270	9311963594316		
9/16	18					M565 1429	9311963594323
5/8	18					M565 1588	9311963594330
3/4	16					M565 1905	9311963594347
7/8	14					M565 2223	9311963594354
1"	12					M565 2540	9311963594361

Dies HSS, Button Dies – 12-UN



3"

Discount Group: D0204

Product Information		Item #	Barcode	Item #	Barcode	Item #	Barcode
Size	TPI						
12-UN (Unified National)						M568	
1-1/8	12					M568 2858	9311963594453
1-1/4	12					M568 3175	9311963594460
1-3/8	12					M568 3493	9311963594477
1-1/2	12					M568 3810	9311963594484
1-5/8	12					M568 4128	9311963594491
1-3/4	12					M568 4445	9311963594507
1-7/8	12					M568 4763	9311963594514
2"	12					M568 5080	9311963594521

Dies HSS, Button Dies – BSPF



Button Dies are used for cutting a new male/external thread on studs. Made from High Speed Steel. Suitable for cleaning existing threads in tough applications. Produce more accurate threads than carbon dies.



Solid Round Die
Fits into adjustable guide or plain die stock handle

Cutting Teeth
Provide a precise thread

High Speed Steel
For longer tool life

Application

DIY
Trade
Automotive
Plumbing
Metalworking
MRO



Discount Group: D0204

Product Information		Item #	Barcode	Item #	Barcode	Item #	Barcode
Size	TPI						
BSPF (British Standard Pipe)		M569		M570		M571	
1/8	28	M569 0973	9311963594538				
1/4	19			M570 1316	9311963594545		
3/8	19			M570 1666	9311963594552		
1/2	14			M570 2096	9311963594569		
5/8	14			M570 2291	9311963594576		
3/4	14			M570 2644	9311963594583		
1"	11					M571 3325	9311963594590
1-1/4	11					M571 4191	9311963594606
1-1/2	11					M571 4780	9311963594613

Dies HSS, Button Dies – BSPT



3"

Discount Group: D0204

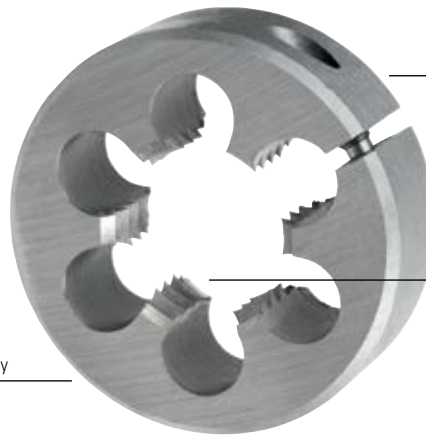
Product Information		Item #	Barcode	Item #	Barcode	Item #	Barcode
Size	TPI						
BSPT (British Standard Pipe Taper)						M572	
1"	11					M572 3325	9311963594620
1-1/4	11					M572 4191	9311963594637
1-1/2	11					M572 4780	9311963594644

Dies Carbon, Button Dies – Metric



Button Dies are used for cutting a new male/external thread on studs.

Carbon Alloy Steel threading tools are not suitable for precision, safety or critical thread. General purpose / DIY use only.



Solid Round Die
Fits into adjustable guide or plain die stock handle

Cutting Teeth
Provide a general purpose thread

Carbon Alloy Steel
Suitable for general purpose / DIY use only

Application

- DIY
- Trade
- Automotive
- Plumbing
- Metalworking
- MRO



1"



1-1/2"



2"

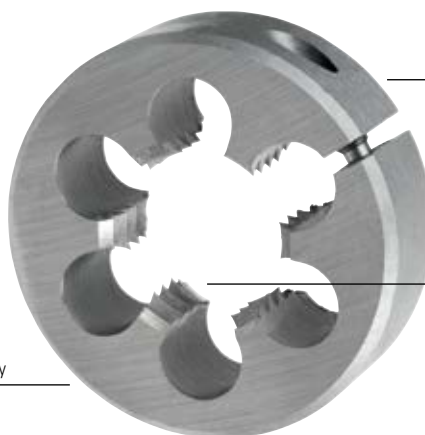
Discount Group: D0202

Product Information		Item #	Barcode	Item #	Barcode	Item #	Barcode
Size	Pitch						
Metric ISO Coarse		M400		M401		M402	
M2	0.4	M400 0200	9311963025230				
M2.5	0.45	M400 0250	9311963029733				
M3	0.5	M400 0300	9311963018966				
M3.5	0.6	M400 0350	9311963040875				
M4	0.7	M400 0400	9311963016481				
M5	0.8	M400 0500	9311963007274				
M6	1.0	M400 0600	9311963007540				
M7	1.0	M400 0700	9311963029740				
M8	1.25	M400 0800	9311963007861	M401 0800	9311963011806		
M9	1.25	M400 0900	9311963021812				
M10	1.5	M400 1000	9311963009971	M401 1000	9311963010755		
M11	1.5	M400 1100	9311963032665				
M12	1.75	M400 1200	9311963020273	M401 1200	9311963021829	M402 1200	9311963011813
M14	2.0			M401 1400	9311963040899	M402 1400	9311963040905
M16	2.0					M402 1600	9311963006505
M18	2.5					M402 1800	9311963029757
M20	2.5					M402 2000	9311963012414
M22	2.5					M402 2200	9311963040912
M24	3.0					M402 2400	9311963016498

Dies Carbon, Button Dies – Metric Fine



Button Dies are used for cutting a new male/external thread on studs.
Carbon Alloy Steel threading tools are not suitable for precision, safety or critical thread. General purpose / DIY use only.



Solid Round Die
Fits into adjustable guide or plain die stock handle

Cutting Teeth
Provide a general purpose thread

Carbon Alloy Steel
Suitable for general purpose / DIY use only

Application

- DIY
- Trade
- Automotive
- Plumbing
- Metalworking
- MRO



Discount Group: D0202

Product Information		Item #	Barcode	Item #	Barcode	Item #	Barcode
Size	Pitch						
Metric Fine		M403		M404		M405	
MF8	1.0	M403 0805	9311963023410				
MF10	1.0	M403 1005	9311963419954				
MF10	1.25	M403 1006	9311963020280	M404 1006	9311963020297		
MF12	1.25	M403 1206	9311963025247	M404 1206	9311963023427	M405 1206	9311963040929
MF12*	1.5	M403 1207	9311963027173	M404 1207	9311963027180	M405 1207	9311963036472
MF14	1.25			M404 1406	9311963081724	M405 1406	9311963081380
MF14	1.5			M404 1407	9311963025254	M405 1407	9311963023434
MF16	1.5					M405 1607	9311963013701
MF18	1.5					M405 1807	9311963020303
MF20	1.5					M405 2007	9311963020310
MF22	1.5					M405 2207	9311963081397
MF24	2.0					M405 2408	9311963081403
Metric Conduit							
MF16	1.5					M405 1607	9311963013701
MF20	1.5					M405 2007	9311963020310
MF25	1.5					M405 2507	9311963040936
Metric Spark Plug							
MF10	1.0	M403 1005	9311963419954				
MF12	1.25	M403 1206	9311963025247	M404 1206	9311963023427	M405 1206	9311963040929
MF14	1.25			M404 1406	9311963081724	M405 1406	9311963081380
MF18	1.5					M405 1807	9311963020303

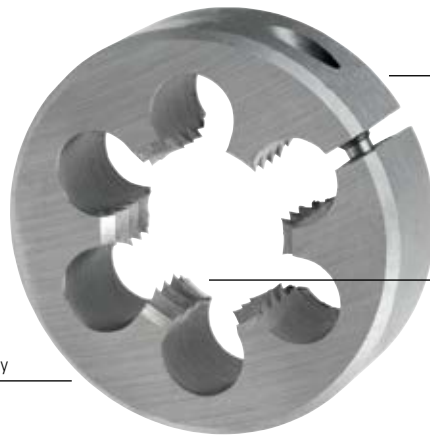
*Alternative Metric Fine

Dies Carbon, Button Dies – UNC



Button Dies are used for cutting a new male/external thread on studs.

Carbon Alloy Steel threading tools are not suitable for precision, safety or critical thread. General purpose / DIY use only.



Solid Round Die
Fits into adjustable guide or plain die stock handle

Cutting Teeth
Provide a general purpose thread

Carbon Alloy Steel
Suitable for general purpose / DIY use only

Application

- DIY
- Trade
- Automotive
- Plumbing
- Metalworking
- MRO



Discount Group: D0202

Product Information		Item #	Barcode	Item #	Barcode	Item #	Barcode
Size	TPI						
UNC (Unified National Coarse)		M412		M413		M414	
#5	40	M412 0318	9311963027197				
#6	32	M412 0351	9311963016504				
#8	32	M412 0417	9311963018973				
#10	24	M412 0483	9311963025261				
#12	24	M412 0549	9311963025278				
1/4	20	M412 0635	9311963021836				
5/16	18	M412 0794	9311963016511	M413 0794	9311963025292		
3/8	16	M412 0953	9311963018980	M413 0953	9311963023458		
7/16	14	M412 1111	9311963020327	M413 1111	9311963027203		
1/2	13	M412 1270	9311963023441	M413 1270	9311963020334	M414 1270	9311963018997
9/16	12			M413 1429	9311963029764	M414 1429	9311963036489
5/8	11			M413 1588	9311963020341	M414 1588	9311963019000
3/4	10					M414 1905	9311963019017
7/8	9					M414 2223	9311963027210
1	8					M414 2540	9311963025308

Dies Carbon, Button Dies – UNF



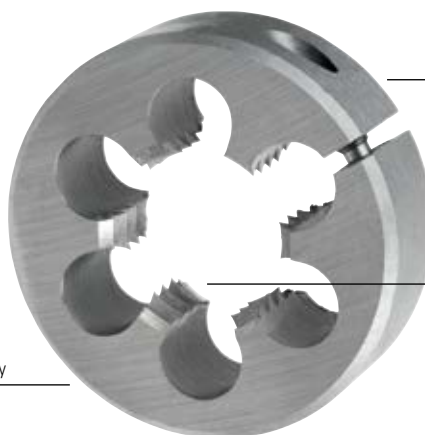
Discount Group: D0202

Product Information		Item #	Barcode	Item #	Barcode	Item #	Barcode
Size	TPI						
UNF (Unified National Fine)		M415		M416		M417	
#5	44	M415 0318	9311963040943				
#6	40	M415 0351	9311963040950				
#8	36	M415 0417	9311963050997				
#10	32	M415 0483	9311963021843				
#12	28	M415 0549	9311963027227				
3/16	32 UNS	M415 0476	9311963015514				
1/4	28	M415 0635	9311963014623				
5/16	24	M415 0794	9311963010359	M416 0794	9311963014647		
3/8	24	M415 0953	9311963016528	M416 0953	9311963017785		
7/16	20	M415 1111	9311963014630	M416 1111	9311963019024		
1/2	20	M415 1270	9311963021850	M416 1270	9311963013107	M417 1270	9311963017792
9/16	18			M416 1429	9311963025315	M417 1429	9311963025322
5/8	18			M416 1588	9311963013718	M417 1588	9311963009124
3/4	16					M417 1905	9311963006512
7/8	14					M417 2223	9311963013725
1	12					M417 2540	9311963014654
1	14 UNS					M417 2541	9311963025339

Dies Carbon, Button Dies – BSW



Button Dies are used for cutting a new male/external thread on studs.
Carbon Alloy Steel threading tools are not suitable for precision, safety or critical thread. General purpose / DIY use only.



Solid Round Die
Fits into adjustable guide or plain die stock handle

Cutting Teeth
Provide a general purpose thread

Carbon Alloy Steel
Suitable for general purpose / DIY use only

Application

- DIY
- Trade
- Automotive
- Plumbing
- Metalworking
- MRO



1"



2"

Discount Group: D0202

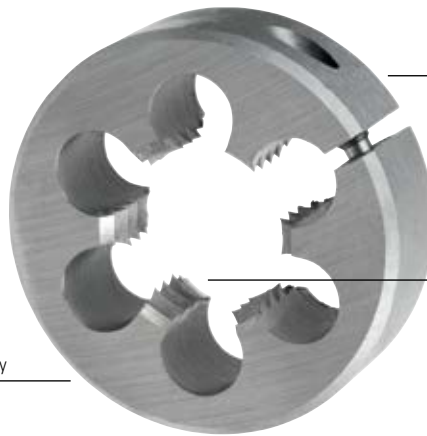
Product Information		Item #	Barcode	Item #	Barcode	Item #	Barcode
Size	TPI						
BSW (British Standard Whitworth)				M418		M420	
1/8	40			M418 0318	9311963021867		
5/32	32 WHIT			M418 0397	9311963021874		
3/16	24			M418 0476	9311963029771		
1/4	20			M418 0635	9311963014661		
5/16	18			M418 0794	9311963012421		
3/8	16			M418 0953	9311963021881		
1/2	12			M418 1270	9311963021898	M420 1270	9311963005515
9/16	12					M420 1429	9311963032689
5/8	11					M420 1588	9311963013749
3/4	10					M420 1905	9311963013121
7/8	9					M420 2223	9311963025346
1	8					M420 2540	9311963016535

Dies Carbon, Button Dies – RC & NPT (Taper)



Button Dies are used for cutting a new male/external thread on studs.

Carbon Alloy Steel threading tools are not suitable for precision, safety or critical thread. General purpose / DIY use only.



Solid Round Die
Fits into adjustable guide or plain die stock handle

Cutting Teeth
Provide a general purpose thread

Carbon Alloy Steel
Suitable for general purpose / DIY use only

Application

- DIY
- Trade
- Automotive
- Plumbing
- Metalworking
- MRO



2"

Discount Group: D0202

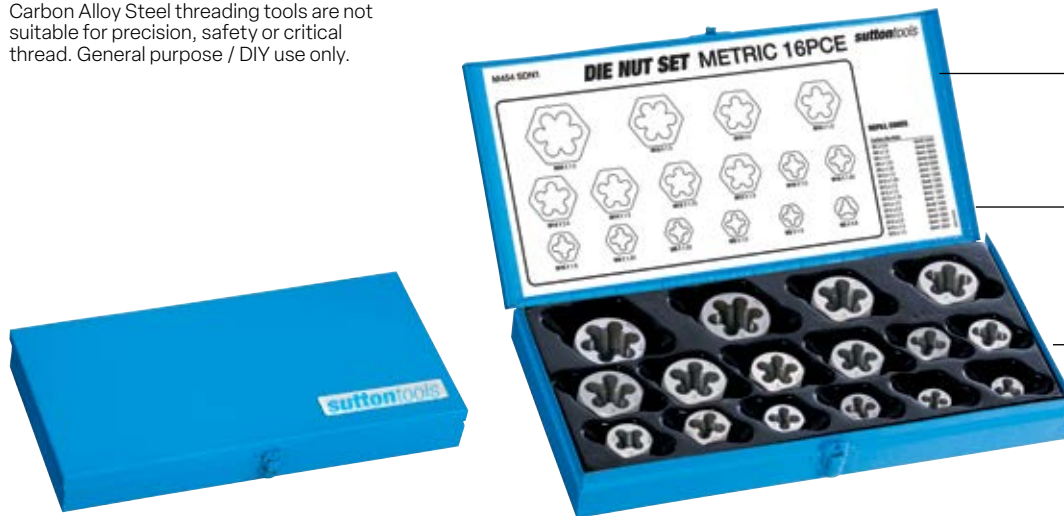
Product Information		Item #	Barcode	Item #	Barcode	Item #	Barcode
Size	TPI						
Rc Series - BSPT (British Standard Pipe Taper)						M438	
1/8	28			M438 0973		9311963025377	
1/4	19			M438 1316		9311963029849	
3/8	19			M438 1666		9311963025384	
1/2	14			M438 2096		9311963021928	
3/4	14			M438 2644		9311963020365	
NPT (National Pipe Taper)						M429	
1/8	27			M429 1029		9311963021935	
1/4	18			M429 1372		9311963016566	
3/8	18			M429 1715		9311963023502	
1/2	14			M429 2134		9311963029856	
3/4	14			M429 2667		9311963029863	
1	11-1/2			M429 3340		9311963419961	

Dies Carbon, Die Nut Sets



Die Nut – for cleaning and resizing existing damaged threads.

Carbon Alloy Steel threading tools are not suitable for precision, safety or critical thread. General purpose / DIY use only.



Layout Chart
Quickly and easily identifies location of items

Metal Case
Solid construction, ideal for storage and transportation of your tools

Slim Line Design
Fits comfortably into tool chest, drawers and work bench

Discount Group: D0802

Product Information			Item #	Barcode
Set	Contents	Pieces	M454	
Metric	5 x 0.8, 6 x 1, 8 x 1, 8 x 1.25, 9 x 1.25, 10 x 1, 10 x 1.25, 10 x 1.5, 12 x 1.75, 12 x 1.5, 14 x 1.5, 14 x 2, 16 x 1.5, 16 x 2, 18 x 1.5, 20 x 1.5mm	16	M454 SDN1	9311963032832
BSW	1/4, 5/16, 3/8, 7/16, 1/2, 9/16, 5/8, 3/4, 7/8, 1"	10	M454 SDN2	9311963051185
UNC	1/4, 5/16, 3/8, 7/16, 1/2, 9/16, 5/8, 3/4, 7/8, 1"	10	M454 SDN3	9311963032849
UNF	1/4, 5/16, 3/8, 7/16, 1/2, 9/16, 5/8, 3/4, 7/8, 1"	10	M454 SDN4	9311963032856



M454 SDN1



M454 SDN2



M454 SDN3

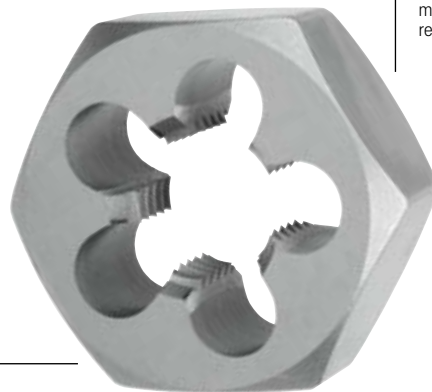


M454 SDN4

Dies Carbon, Die Nuts – Metric & Metric Fine



Die Nuts are designed for cleaning and resizing existing damaged threads.
Carbon Alloy Steel threading tools are not suitable for precision, safety or critical thread. General purpose / DIY use only.



Hexagon Die
Best suited for maintenance and repair work

Limited Space
Die can be used with a wrench or socket

Application

- DIY
- Trade
- Automotive
- Plumbing
- Metalworking
- MRO



Discount Group: D0202

Product Information			Item #	Barcode	Item #	Barcode	Item #	Barcode
Size	Pitch	AF	Blister		Blister		Box	
Metric ISO Coarse			M440		M440			
M5	0.8	18			M440 0500	9311963017815		
M6	1.0	18			M440 0600	9311963011851		
M7	1.0	18			M440 0700	9311963032740		
M8	1.25	21			M440 0800	9311963009988		
M9	1.25	23.5			M440 0900	9311963041087		
M10	1.5	23.5			M440 1000	9311963023526		
M12	1.75	28			M440 1200	9311963010762		
M14	2.0	33			M440 1400	9311963029887		
M16	2.0	33			M440 1600	9311963013756		
M18	2.5	37.5			M440 1800	9311963051086		
M20	2.5	37.5					M440 2000	9311963021942
M22	2.5	42.5					M440 2200	9311963036588
M24	3.0	52					M440 2400	9311963023533
M27	3.0	56.5					M440 2700	9311963041094
M30	3.5	56.5					M440 3000	9311963020372
M33	3.5	65.5					M440 3300	9311963051093
M36	4.0	70					M440 3600	9311963041100
Metric Fine			M441		M441			
MF8	1.0	21			M441 0805	9311963029894		
MF10	1.0	23.5			M441 1005	9311963025407		
MF10	1.25	23.5			M441 1006	9311963015521		
MF12	1.25	28			M441 1206	9311963013763		
MF12*	1.5	28			M441 1207	9311963011868		
MF14	1.5	33			M441 1407	9311963021959		
MF16	1.5	33			M441 1607	9311963029900		
MF18	1.5	37.5			M441 1807	9311963029917		
MF20	1.5	37.5					M441 2007	9311963027272
Metric Conduit					M441 1607	9311963029900		
MF16	1.5	33					M441 2007	9311963027272
MF20	1.5	37.5						
Metric Spark Plug								
MF10	1.0	23.5			M441 1005	9311963025407		
MF12	1.25	28			M441 1206	9311963013763		
MF18	1.5	37.5			M441 1807	9311963029917		

*Alternative Metric Fine

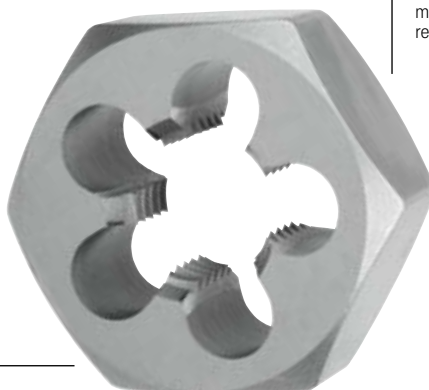
Dies Carbon, Die Nuts – UNC & UNF



Die Nuts are designed for cleaning and resizing existing damaged threads.
Carbon Alloy Steel threading tools are not suitable for precision, safety or critical thread. General purpose / DIY use only.



Limited Space
Die can be used with a wrench or socket



Hexagon Die
Best suited for maintenance and repair work

Application

- DIY
- Trade
- Automotive
- Plumbing
- Metalworking
- MRO

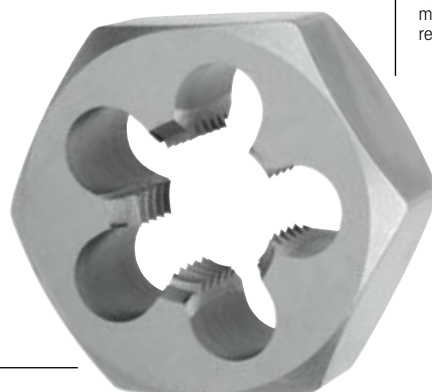
Discount Group: D0202

Product Information			Item #	Barcode	Item #	Barcode
Size	Pitch	AF	Blister		Box	
UNC (Unified National Coarse)			M445		M445	
1/4	20	18	M445 0635	9311963025414		
5/16	18	21	M445 0794	9311963016597		
3/8	16	23.5	M445 0953	9311963013770		
7/16	14	25.5	M445 1111	9311963014692		
1/2	13	28	M445 1270	9311963013138		
9/16	12	33	M445 1429	9311963027289		
5/8	11	33	M445 1588	9311963023540		
3/4	10	37.5	M445 1905	9311963027296		
7/8	9	42.5			M445 2223	9311963025421
1	8	52			M445 2540	9311963027302
1-1/8	7	56.5			M445 2858	9311963419978
1-1/4	7	56.5			M445 3175	9311963419985
1-1/2	6	70			M445 3810	9311963419992
UNF (Unified National Fine)			M446		M446	
3/16	32 UNS	18	M446 0476	9311963016610		
1/4	28	18	M446 0635	9311963016603		
5/16	24	21	M446 0794	9311963012445		
3/8	24	23.5	M446 0953	9311963011356		
7/16	20	25.5	M446 1111	9311963011363		
1/2	20	28	M446 1270	9311963011875		
9/16	18	33	M446 1429	9311963020389		
5/8	18	33	M446 1588	9311963010779		
3/4	16	37.5	M446 1905	9311963010786		
7/8	14	42.5			M446 2223	9311963021966
1	12	52			M446 2540	9311963015538
1	14 UNS	52			M446 2541	9311963019093
1-1/8	12	56.5			M446 2858	9311963032757
1-1/4	12	56.5			M446 3175	9311963023557
1-3/8	12	65.5			M446 3493	9311963036595
1-1/2	12	70			M446 3810	9311963041117

Dies Carbon, Die Nuts – BSW, BSF & G



Die Nuts are designed for cleaning and resizing existing damaged threads. Carbon Alloy Steel threading tools are not suitable for precision, safety or critical thread. General purpose / DIY use only.



Hexagon Die
Best suited for maintenance and repair work

Limited Space
Die can be used with a wrench or socket



Application
DIY
Trade
Automotive
Plumbing
Metalworking
MRO

Discount Group: D0202

Product Information			Item #	Barcode	Item #	Barcode
Size	TPI	AF	Blister		Box	
BSW (British Standard Whitworth)			M447		M447	
1/8	40	18	M447 0318	9311963036601		
5/32	32	18	M447 0397	9311963029924		
3/16	24	18	M447 0476	9311963021973		
1/4	20	18	M447 0635	9311963023564		
5/16	18	21	M447 0794	9311963025438		
3/8	16	23.5	M447 0953	9311963009131		
7/16	14	25.5	M447 1111	9311963025445		
1/2	12	28	M447 1270	9311963013787		
9/16	12	33	M447 1429	9311963032764		
5/8	11	33	M447 1588	9311963021980		
3/4	10	37.5	M447 1905	9311963021997		
7/8	9	42.5			M447 2223	9311963032771
1	8	52			M447 2540	9311963027319
1-1/8	7	56.5			M447 2858	9311963041124
1-1/4	7	56.5			M447 3175	9311963027326
1-1/2	6	70			M447 3810	9311963041131
1-3/4	5	80			M447 4445	9311963051109
2	4-1/2	90			M447 5080	9311963051116
BSF (British Standard Fine)			M448		M448	
3/16	32	18	M448 0476	9311963036618		
1/4	26	18	M448 0635	9311963025452		
5/16	22	21	M448 0794	9311963027333		
3/8	20	23.5	M448 0953	9311963029931		
7/16	18	25.5	M448 1111	9311963025469		
1/2	16	28	M448 1270	9311963032788		
9/16	16	33	M448 1429	9311963029948		
5/8	14	33	M448 1588	9311963051123		
3/4	12	37.5	M448 1905	9311963041148		
1	10	52			M448 2540	9311963029955
G Series - BSPF (British Standard Pipe Fitting)			M452		M452	
1/8	28	23.5	M452 0973	9311963022000		
1/4	19	28	M452 1316	9311963020396		
3/8	19	33	M452 1666	9311963027340		
1/2	14	42.5	M452 2096	9311963032795		
5/8	14	42.5	M452 2291	9311963051147		
3/4	14	52			M452 2644	9311963032801
1	11	65.5			M452 3325	9311963029962

Threading Carbon, Tap & Die Sets

sutton



M500 M12



M500 M16



M500 M26



M500 M35



M500 M46



M500 NC12



M500 NC25



M500 NC35



M500 NF35



M500 W15



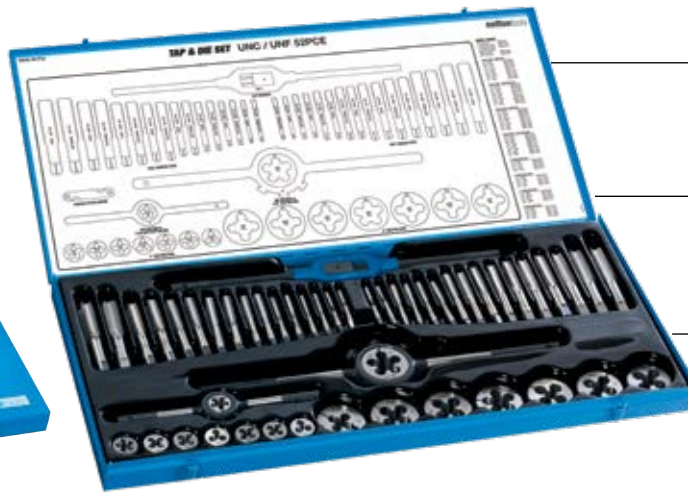
M500 W35

Threading Carbon, Tap & Die Sets



Available in a selection of modular set configurations, in both metric and imperial.

Tools are manufactured from carbon alloy steel which are suitable for general purpose/DIY use only. Not suitable for precision, safety or critical threads.



Layout Chart
Quickly and easily identifies location of items

Metal Case
Solid construction, ideal for storage and transportation of your tools

Slim Line Design
Fits comfortably into tool chest, drawers and work bench

Discount Group: D0802

Product Information						Item #	Barcode
Set	Contents	Tap Wrench	Button Die Holders	Pieces	M500		
TD14 Metric Intermediate Taps 1" Button Dies	M6 x 1.0, M8 x 1.25, M10 x 1.25, M10 x 1.5, M12 x 1.75mm	#1 Bar Type	1"	12	M500 M12	9311963419534	
T&D-1 Metric Intermediate Taps 1" Button Dies	Packaging: Foam M3 x 0.5, M4 x 0.7, M5 x 0.8, M6 x 1, M8 x 1.25, M10 x 1.5, M12 x 1.75mm	#1 Bar Type	1"	16	M500 M16	9311963333410	
TD10 Metric Taper Taps Bottoming Taps 1" Button Dies	M2 x 0.4, M2.5 x 0.45, M3 x 0.5, M3.5 x 0.6, M4 x 0.7, M4.5 x 0.75, M5 x 0.8, M6 x 1mm	#0 Bar Type	1"	26	M500 M26	9311963419558	
TD12 Metric Taper Taps Bottoming Taps 1" Button Dies	M6 x 1, M8 x 1.25, M10 x 1.5, M12 x 1.75, M14 x 2", M16 x 2", M18 x 2.5", M20 x 2.5mm*, M22 x 2.5", M24 x 3" mm, Bonus Thread Pitch Gauge	#1 & #4 Bar Type	1" & 2"	35	M500 M35	9311963027371	
TD13 Metric Taper Taps Bottoming Taps 1" Button Dies	M2 x 0.4, M2.5 x 0.45, M3 x 0.5, M3.5 x 0.6, M4 x 0.7, M4.5 x 0.75, M5 x 0.8, M6 x 1, M7 x 1, M8 x 1.25, M9 x 1.25, M10 x 1.5, M11 x 1.5, M12 x 1.75mm, Bonus Thread Pitch Gauge	#0 & #1 Bar Type	1"	46	M500 M46	9311963419565	
TD0 UNC Intermediate Taps 1" Button Dies	1/4, 5/16, 3/8, 7/16, 1/2inch	#1 Bar Type	1"	12	M500 NC12	9311963419527	
TD5 UNC Taper Taps Bottoming Taps 1" Button Dies	1/4, 5/16, 3/8, 7/16, 1/2, 5/8", 3/4inch*, Bonus Thread Pitch Gauge	#3 Bar Type	1" & 2"	25	M500 NC25	9311963027388	
STD8 UNC Taper Taps Bottoming Taps 1" Button Dies	1/4, 5/16, 3/8, 7/16, 1/2, 9/16", 5/8", 3/4", 7/8", 1inch*, Bonus Thread Pitch Gauge	#1 & #4 Bar Type	1" & 2"	35	M500 NC35	9311963036632	
STD8 UNF Taper Taps Bottoming Taps 1" Button Dies	1/4, 5/16, 3/8, 7/16, 1/2, 9/16", 5/8", 3/4", 7/8", 1inch*, Bonus Thread Pitch Gauge	#1 & #4 Bar Type	1" & 2"	35	M500 NF35	9311963051260	
TD2A BSW Intermediate Taps 1" Button Dies	1/8, 5/32, 3/16, 1/4, 5/16, 3/8inch, Bonus Thread Pitch Gauge	#1 Bar Type	1"	15	M500 W15	9311963419541	
STD8 BSW Taper Taps Bottoming Taps 1" Button Dies	1/4, 5/16, 3/8, 7/16, 1/2, 9/16", 5/8", 3/4", 7/8", 1inch*, Bonus Thread Pitch Gauge	#1 & #4 Bar Type	1" & 2"	35	M500 W35	9311963036649	

*Button Dies for these sizes have 2 inch outer diameter



M500 MMF47



M500 NCF52



M500 WM52



M500 WNF52



M500 NFM33



M500 NFM52



M551 M18



M561 NC18



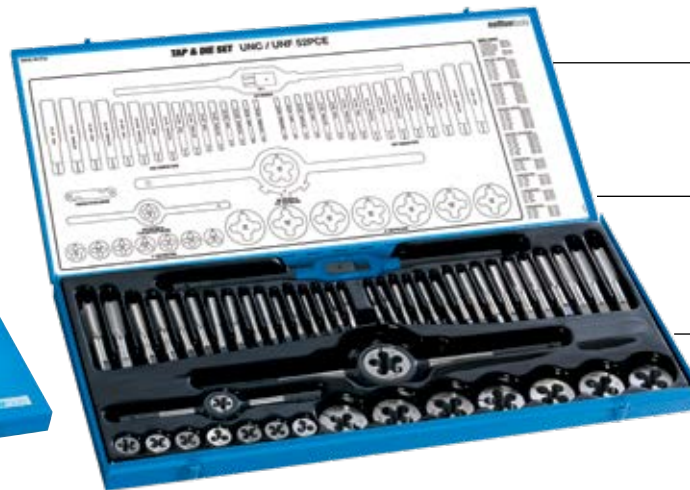
M564 NF18

Threading Carbon, Tap & Die Sets



Available in a selection of modular set configurations, in both metric and imperial.

Tools are manufactured from carbon alloy steel which are suitable for general purpose/DIY use only. Not suitable for precision, safety or critical threads.



Layout Chart
Quickly and easily identifies location of items

Metal Case
Solid construction, ideal for storage and transportation of your tools

Slim Line Design
Fits comfortably into tool chest, drawers and work bench

Discount Group: D0802

Product Information					Item #	Barcode
Set	Contents	Tap Wrench	Button Die Holders	Pieces	M500	
SCTD9 Metric Coarse/Fine Taper Taps Bottoming Taps 1" Button Dies Intermediate Taps	M6 x 1, M7 x 1, M8 x 1.25, M10 x 1.5, M12 x 1.75, MF8 x 1, MF10 x 1.25, MF12 x 1.5, M14 x 2", M16 x 2", M18 x 2.5", MF14 x 1.5", MF16 x 1.5", MF18 x 1.5mm", Bonus Thread Pitch Gauge M14 x 1.25mm	#3 Bar Type	1" & 2"	47	M500 MMF47	9311963027395
SCTD1 UNC/UNF Taper Taps Bottoming Taps 1" Button Dies	UNC & UNF 1/4, 5/16, 3/8, 7/16, 1/2", 9/16", 5/8", 3/4mm", Bonus Thread Pitch Gauge	#3 Bar Type	1" & 2"	52	M500 NCF52	9311963019123
CTD1 BSW/Metric Coarse Taper Taps Bottoming Taps 1" Button Dies	1/4, 5/16, 3/8, 7/16, 1/2", 9/16", 5/8", 3/4" M6 x 1, M8 x 1.25, M10 x 1.5, M12 x 1.75, M14 x 2", M16 x 2", M18 x 2.5", M20 x 2.5mm", Bonus Thread Pitch Gauge	#3 Bar Type	1" & 2"	52	M500 WM52	9311963419572
CTD4 BSW/UNF Taper Taps Bottoming Taps 1" Button Dies	1/4, 5/16, 3/8, 7/16, 1/2", 9/16", 5/8", 3/4inch", Bonus Thread Pitch Gauge	#3 Bar Type	1" & 2"	52	M500 WNF52	9311963419589
CTD10 UNF/Metric Coarse Taper Taps Bottoming Taps 1" Button Dies	1/4, 5/16, 3/8, 7/16, 1/2", M6 x 1, M7 x 1, M8 x 1.25, M10, x 1.5, M12 x 1.75mm, Bonus Thread Pitch Gauge	#2 Bar Type	1"	33	M500 NFM33	9311963419596
CTD11 UNF/Metric Coarse Taper Taps Bottoming Taps 1" Button Dies	1/4, 5/16, 3/8, 7/16, 1/2", M6 x 1, M7 x 1, M8 x 1.25, M10, x 1.5, M12 x 1.75, 9/16", 5/8", 3/4", M14 x 2", M16 x 2", M18 x 2.5mm", Bonus Thread Pitch Gauge	#3 Bar Type	1" & 2"	52	M500 NFM52	9311963419602

*Button Dies for these sizes have 2 inch outer diameter

Threading HSS, Tap & Die Sets

Discount Group: D0204

Product Information					Item #	Barcode
Set	Contents	Tap Wrench	Button Die Holders	Pieces	M551 M561 M564	
Metric Intermediate Taps 1" Button Dies	M3 x 0.5, M4 x 0.7, M5 x 0.8, M6 x 1.0, M8 x 1.25, M10 x 1.5, M12 x 1.75 Bonus Thread Pitch Gauge	#1.5 Bar Type	1"	17	M551 M18	9311963596662
UNC Intermediate Taps 1" Button Dies	#8, #10, 1/4, 5/16, 3/8, 7/16, 1/2 Bonus Thread Pitch Gauge	#1.5 Bar Type	1"	17	M561 NC18	9311963596679
UNF Intermediate Taps 1" Button Dies	#8, #10, 1/4, 5/16, 3/8, 7/16, 1/2 Bonus Thread Pitch Gauge	#1.5 Bar Type	1"	17	M564 NF18	9311963596686

Taps Wrenches & Die Holders



T-Type – Useful for holding taps, reamers and other small tools to be turned by hand.

T-Type Precision – The 'Ratchet' style tap wrench offers additional functionality with its adjustable handle and two-way ratchet action.



T-Bar
For increases leverage and control

Ratchet Mechanism
Offers additional functionality and precision

Knurled Nut
Adjusts and tightens by turning

Reach
Designed to reach jobs inaccessible with bar pattern tap wrench

Application

- DIY
- Trade
- Automotive
- Plumbing
- Metalworking
- MRO

Discount Group: D0202

Product Information			Item #	Barcode	Item #	Barcode	Item #	Barcode
Size	Range mm / inch		Carded / Blister / Vinyl			Box		
T-Type Tap Wrenches			M901					
M4	M1.6 – M4	#0 – #8					M901 0400*	9311963553702
M6	M3 – M6	1/8 – 1/4			M901 0635	93829618		
M12	M6 – M12	1/4 – 1/2			M901 1270	93829625		
Set (M6 & M12)	M3 – M12	1/8 – 1/2					M901 0002	9311963553726
Precision T-Type Ratchet Tap Wrenches			M903					
M6	1/4	1/8 – 1/4			M903 0635	9311963006826		
M12	1/2	1/4 – 1/2			M903 1270	9311963006536		
M12	Long Reach - 280mm						M903 1200L	9311963553719
Bar Type Tap Wrenches			M908					
#0	M1–M8	1/16 – 5/16			M908 0108	9311963632940		
#1	M1–M10	1/16–3/8			M908 0110	9311963632957		
#1.5	M1–M12	1/16–1/2			M908 0112	9311963632964		
#2	M4–M12	5/32–1/2			M908 0412	9311963632971		
#3	M5–M20	7/32–3/4			M908 0520	9311963632988		
#4	M9–M27	3/8–1			M908 0927	9311963632995		
#5	M12–M33	1/2–1 1/4					M908 1233	9311963633008
#6	M18–M42	3/4–1 5/8					M908 1842	9311963633015
Button Die Holders			M907			M906		
1"					M907 2540	93829656		
1-1/2"							M906 3810	9311963005027
2"							M906 5180	9311963007892
2-1/2" (D0204)							M906 6350	9311963594675
3" (D0204)							M906 7620	9311963594682

Bar Type Tap Wrench

Constructed to withstand the torque applied during the tapping operation



Button Die Holders

Incorporates taper screws which allows the user to make minor adjustments to the button die, ensuring accurate thread size



*Not available once current stock is depleted

Threading Screw Extractors



sutton

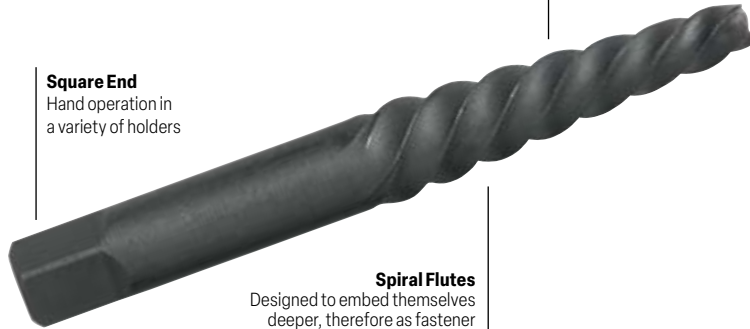
Designed to remove broken studs, bolts, socket screws and fittings. Made from chrome steel.

Aggressive Left Hand Spiral
For extra gripping power

Square End
Hand operation in a variety of holders

Spiral Flutes
Designed to embed themselves deeper, therefore as fastener resistance increases the extractor's grip increases

Application
DIY
Trade
Automotive
Plumbing
Machine Shop
MRO



Discount Group: D0302

Product Information						Item #	Barcode
Size	Drill Size	Screw / Bolt Size Range		Pieces	Order Qty		
	mm	metric	imperial				
Carded						M600	
#1	2.0	M4 – M5	5/32 – 3/16	1	1	M600 0001	93829663
#2	3.0	M6 – M8	7/32 – 1/4	1	1	M600 0002	93829670
#3	4.0	M8 – M10	5/16 – 3/8	1	1	M600 0003	93829687
#4	5.5	M10 – M14	3/8 – 1/2	1	1	M600 0004	93829694
#5	7.5	M14 – M20	9/16 – 3/4	1	1	M600 0005	93829700
Telepack						M601	
#1	2.0	M4 – M5	5/32 – 3/16	1	10	M601 0001	9311963005737
#2	3.0	M6 – M8	7/32 – 1/4	1	10	M601 0002	9311963008226
#3	4.0	M8 – M10	5/16 – 3/8	1	5	M601 0003	9311963007038
#4	5.5	M10 – M14	3/8 – 1/2	1	5	M601 0004	9311963008233
#5	7.5	M14 – M20	9/16 – 3/4	1	5	M601 0005	9311963009148
#6	10.5	M20 – M27	7/8 – 1	1	1	M601 0006	9311963072227
#7	13.5	M27 – M36	1 – 1-1/2	1	1	M601 0007	9311963072234
#8	20.0	M36 – M48	1-3/8 – 1-3/4	1	1	M601 0008	9311963072241
#9	27.0	M48 – M56	1-3/4 – 2-1/8	1	1	M601 0009	9311963072258
Screw Extractor & Drill Sets						M602	
#1	2.0	M4 – M5	5/32 – 3/16	2	1	M602 0001	9311963344348
#2	3.0	M6 – M8	7/32 – 1/4	2	1	M602 0002	9311963344355
#3	4.0	M8 – M10	5/16 – 3/8	2	1	M602 0003	9311963344362
#4	5.5	M10 – M14	3/8 – 1/2	2	1	M602 0004	9311963344379
#5	7.5	M14 – M20	9/16 – 3/4	2	1	M602 0005	9311963344386
Screw Extractor Sets						M603	
S15	#1 – #5 Screw Extractor			5	1	M603 S15	9311963003191
S15A	#1 – #6 Screw Extractor			6	1	M603 S15A	9311963004105
S20	#1 – #5 Screw Extractor Combination Drill Set Includes jobber drills: 2.0, 3.0, 4.0, 5.5, 7.5mm			10	1	M603 S20	9311963075747
S20L	#1 – #5 Screw Extractor Combination Drill Set Includes left hand cobalt jobber drills: 2.0, 3.0, 4.0, 5.5, 7.5mm			10	1	M603 S20L	9311963600956
Left Hand Cobalt Jobber Drills (Discount group A0404) See Drills Section						D202	



M602 0001

M603 S20L

D202 0750

Threading Bolt Extractor Set



Designed to remove bolts with damaged and worn heads.
 8, 9, 10, 11 and 12mm inserts: suits 14mm wrench*
 13, 14, 15, 16 and 17mm inserts: suits 19mm wrench*



Features

- Patented extractor inserts for wrenches and sockets.
- Insert features a flange to avoid falling through. Flexible for all types of wrenches. Inserts for 14 and 19mm wrenches.
- Grips all the way around a bolt and allows up to 85% rounded off bolts to be turned.
- Securely grips many different types of bolts, eg; 6 point, 12 point, hex, spline.
- * Bolt head size, wrenches not included

Application

- DIY
- Trade
- Automotive
- Plumbing
- Machine Shop
- MRO

Discount Group: D0302

Product Information		Item #	Barcode
Description	Pieces		
		M604	
Bolt Extractor Insert Set 8-12mm Inserts: Suits 14mm wrench 13-17mm inserts: suits 19mm wrench	10	M604 0817	9311963627595

How to use:

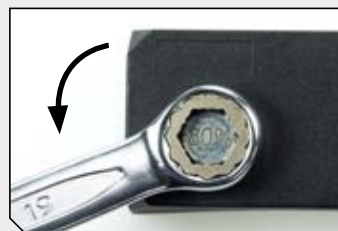
1 Select a fitting insert, and place it over the worn bolt



2 Place matching wrench over the insert



3 Turn worn bolt





Carbon Tap & Drill Sets

General purpose/maintenance applications only. For hand operation only up to 1-1/2 x diameter. Not suitable for precision, safety or critical threads.



267013103

267003103

267001030



Application
DIY

Discount Group: D0802

Product Information			Item #	Barcode	Item #	Barcode	Item #	Barcode
Size	Pitch	Drill Ø			Pieces			
mm								
Carbon Tap & Drill Set								
M3	0.5	2.5				267001030	9311744445479	
M4	0.7	3.3				267001040	9311744445486	
M5	0.8	4.2				267001050	9311744445493	
M6	1	5.0				267001060	9311744445509	
M8	1.25	6.8				267001080	9311744445516	
M10	1.5	8.5				267001100	9311744445523	
M12	1.75	10.2				267001120	9311744445530	
Carbon Die Set								
Metric	M5 x 0.8, M6 x 1.0, M8 x 1.25				3	267013103	9311744445394	
Imperial	5/16", 1/4", 3/16"				3	267013203	9311744445387	
Carbon Tap Set								
Metric	M5 x 0.8, M6 x 1.0, M8 x 1.25				3	267003103	9311744445417	
Imperial	5/16", 1/4", 3/16"				3	267003203	9311744445400	



267040106

267040112

267040210

267041325

267040312

Tap Wrench T-Bar

Useful for holding taps, reamers and other small tools to be turned by hand.

Tap Wrench T-Bar Ratchet

Two-way ratchet action offers additional functionality (forward and reverse tapping) with its adjustable handle.

Tap Wrench and Die Holder

Designed to suit P&N® range of hand taps and dies. It has long handles for better balance and control and is constructed to withstand the torque applied during the tapping operation. Bar-Type tap wrenches and die holders are the recommended choice for producing quality threads.

Discount Group: D0802

Product Information		Item #	Barcode	Item #	Barcode	Item #	Barcode
Description	Range						
Wrench T Bar 1/4"	M3 - M6			267040106	9311744445424		
Wrench T Bar 1/2"	M6 - M12			267040112	9311744445431		
Wrench Ratchet	M3 - M10			267040210	9311744445448		
Die Holder	1"			267041325	9311744445455		
Tap Wrench	M3 - M12			267040312	9311744445462		

Threading DIY Range



T-Type – Useful for holding taps, reamers and other small tools to be turned by hand.



166044652



166044656



166044654



166044658



166044650

Application
DIY

Discount Group: D0802

Product Information			Item #	Barcode
Description	Size			
Hand Taps				
Tap Set – Metric	Intermediate Taps: M5 x 0.8, M6 x 1.0, M8 x 1.25	3	166044652	9311744446520
Tap Set – Imperial	Intermediate Taps: 5/16, 1/4, 3/16"	3	166044653	9311744446537
Tap Wrench 1/4"	Suitable for M3 – M6	1	166044656	9311744446568
Tap Wrench 1/2"	Suitable for M6 – M12	1	166044657	9311744446575
Button Dies				
1" Button Die – Metric	M5 x 0.8, M6 x 1.0, M8 x 1.25	3	166044654	9311744446544
1" Button Die – Imperial	UNC 3/16", 1/4", 5/16"	3	166044655	9311744446551
Button Die Holder	1" Die Holder	1	166044658	9311744446582
Tap & Die Sets				
Tap & Die Set – Metric Taps – Intermediate & 1" Button Dies:	M2 x 0.4, M2.5 x 0.45, M3 x 0.5, M3.5 x 0.6, M4 x 0.7, M4.5 x 0.75, M5 x 0.8, M6 x 1.0, M7 x 0.75, M7 x 1.0, M8 x 1.0, M8 x 1.25, M10 x 1.25, M10 x 1.5, M12 x 1.5, M12 x 1.75, 1/8 BSPT 28	40	166044650	9311744446506
Tap Wrenches:	T & Bar Type Tap Wrench			
Button Die Holder:	1" Die Holder			
Bonus:	Screw pitch gauge & Screwdriver			
Tap & Die Set – Imperial				
UNC Taps – Intermediate & 1" Button Dies:	4 - 40, 6 - 32, 8 - 32, 10 - 24, 12 - 24, 1/4 - 20, 5/16 - 18, 3/8 - 16, 7/16 - 14, 1/2 - 13	40	166044651	9311744446513
UNF Taps – Intermediate & 1" Button Dies:	10 - 32, 1/4 - 28, 5/16 - 24, 3/8 - 24, 7/16 - 20, 1/2 - 20, 1/8 - 27			
NPT Taps – Intermediate & 1" Button Dies:	T & Bar Type Tap Wrench			
Tap Wrenches:	1" Die Holder			
Button Die Holder:	Screw pitch gauge & Screwdriver			
Bonus:				

Threading Screw Extractors



For removing broken screws and bolts.



Discount Group: D0302

Product Information			Item #	Barcode
Description	Screw / Bolt Size	Pieces		
5 Pce Screw Extractor Set	3 – 6, 6 – 8, 8 – 11, 11 – 14, 14 – 18mm bolts	5	166044668	9311744446681

Threading Thread Gauges



For measuring the pitch of external and internal threads.



Made with precision milled teeth

Clamping screw for holding the blades

Discount Group: D0202

Product Information			Item #	Barcode
Description	Screw / Bolt Size	Pieces		
Metric (60°) & Whitworth (55°)	0.25 – 6.0mm & 4 – 62 TPI	52	268MW0052	9311744436026
UNC (60°)	4 – 64 TPI	22	268UNC022	9311744436033
UNF (60°)	12 – 80 TPI	16	268UNF016	9311744436040

Threading Pipe Threading

DRAPER Tools

Draper Ratchet Action Pipe Threading Kit

The Draper pipe threading system is suitable for use on both galvanised and black gas pipes. The system utilises cast iron die holders which also act as guides during the threading process.

They are used with either metric conduit dies or imperial BSPT (British Standard Pipe Taper) thread chasers. Completing the system is a rugged ratcheting handle which enables use in confined spaces.



M455 0001



M455 0002

Discount Group: D0202

Product Information			Item #	Barcode
Description	Screw / Bolt Size	Pieces	M455	
Metric Kit	Die sizes: 16 x 1.5mm, 20 x 1.5mm, 25 x 1.5mm, 32 x 1.5mm + Operating Handle & Ratchet Head	6	M455 0001	9311963630410
Imperial Kit	Chasers (BSPT): 1/2 x 14, 3/4 x 14, 1 x 11, 1-1/4 x 11 + Operating Handle & Ratchet Head	6	M455 0002	9311963630427

Threading Pipe Threading - Replacement Parts

DRAPER Tools

Discount Group: D0202

Product Information			Item #	Barcode
Size	Pitch	Length		
Metric Conduit Dies			M457	
M16	1.5		M457 1600	9311963635569
M20	1.5		M457 2000	9311963635576
M25	1.5		M457 2500	9311963635583
M32	1.5		M457 3200	9311963635590
Metric Die Holders / Guides			M459	
M16	-		M459 1600	9311963635620
M20	-		M459 2000	9311963635637
M25	-		M459 2500	9311963635644
M32	-		M459 3200	9311963635651
Imperial BSPT Thread Chasers			M456	
1/2	14		M456 1270	9311963635521
3/4	14		M456 1902	9311963635538
1	11		M456 2540	9311963635545
1-1/4	11		M456 3175	9311963635552
Imperial BSPT Thread Chasers with Holders / Guides			M458	
1/2	14		M458 1270	9311963636528
3/4	14		M458 1902	9311963636506
1	11		M458 2540	9311963636513
1-1/4	11		M458 3175	9311963636535
Ratcheting Handle / Holder			M460	
		565	M460 0001	9311963635668

Threading Thread Repair Kits



Everything you need for complete thread repair in one handy case. Trade Series kits include only the best quality HSS taps which make them suitable for aluminium, magnesium, cast iron and most machinable steels. Includes easy to follow instructions.

Contents:

- HSS Drill Bit*
- HSS Intermediate STI Tap
- Thread Inserts
- Installation Tool
- Magnetic Tang Removal Tool*
- Installation Instructions

*Included only on selected sizes



Discount Group: D0106

Product Information		Item #	Barcode
Size	Pitch		
Metric Coarse			
M5	0.8	RC35058	020317350582
M6	1	RC35068	020317350681
M8	1.25	RC35088	020317350889
M10	1.5	RC35108	020317351084
M12	1.75	RC35128	020317351282
Metric Extra Fine			
M12	1.25	RC38128	020317381289
Metric Medium			
M10	1.25	RC37108	020317371082
M14	1.5	RC37148	020317371488
UNC			
UNC 1/4	20	RC33048	020317330485
UNC 5/16	18	RC33058	020317330584
UNC 3/8	16	RC33068	020317330683
UNC 1/2	13	RC33088	020317330881

Rethink Thread Repair.
Think Recoil®

Watch the demo

For the full Recoil® range available visit www.recoiltools.com.au

Threading Thread Inserts



RECOIL™ helically wound wire thread inserts can be used to strengthen threads, giving applications a longer life. With a RECOIL™ insert installed, a more even distribution of load and stress can be achieved. Each insert sharing the load over the entire bolt and hole, improving holding or pull out resistance. RECOIL™ inserts are made of type 304 stainless steel wire rolled into a diamond shape cross-section.

Made from Stainless Steel.

Work-hardened to a tensile strength above 200,000 psi.

FOD-Free Design: No tangs to break off, retrieve or lose.



Discount Group: D0104

Product Information				Item #	Barcode
Size	Cut	Pitch			
Metric Coarse					
M5	1.5D	0.8	10	RC25053	020317250530
M6	1.5D	1	10	RC25063	020317250639
M8	1.5D	1.25	10	RC25083	020317250837
M10	1.5D	1.5	10	RC25103	020317251032
M12	1.5D	1.75	10	RC25123	020317251230
Metric Medium					
M10	1.5D	1.25	10	RC27103	020317271030
M14	1.5D	1.5	5	RC27143	020317271436
Metric (Left Handed)					
M12	1.5D	1.25	10	RC28123	020317281237
UNC					
UNC 1/4	1.5D	20	10	RC23043	020317230433
UNC 5/16	1.5D	18	10	RC23053	020317230532
UNC 3/8	1.5D	16	10	RC23063	020317230631
UNC 1/2	1.5D	3	10	RC23083	020317230839

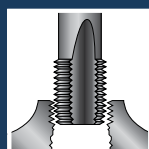
How To Install Recoil® Inserts



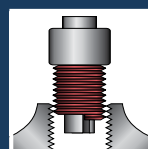
STRIPPED



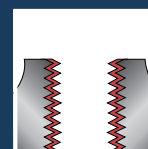
DRILL



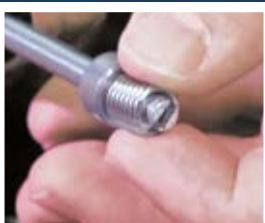
TAP



INSTALL



FIXED



For the full Recoil® range available visit www.recoiltools.com.au